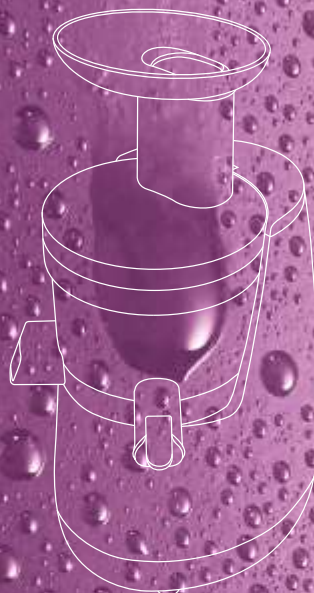


versapers[®]

The juice revolution

EMOTION
4G



01

Terms of parts

02

How to assemble

04

How to use

05

Juice Cap and
Extraction Packing

06

Precautions for safe use

08

Cautions during operation

09

When squeezing screw
stops during operation

10

Before requesting for repair

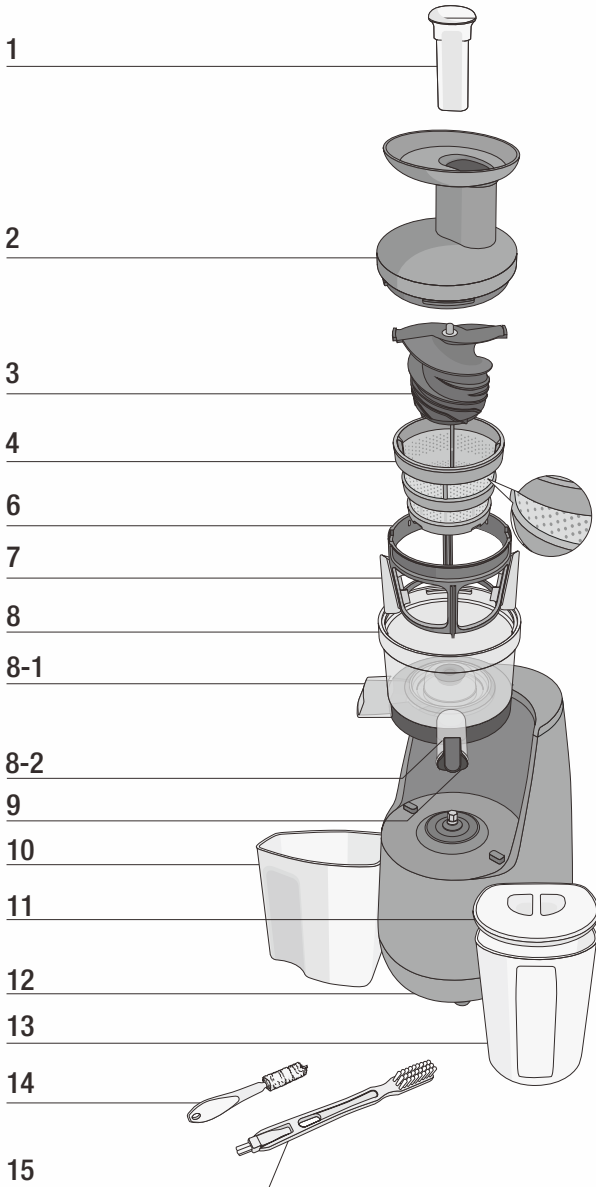
11

Product Specifications /
Warranty

Versapers Slowjuicer for Household Use

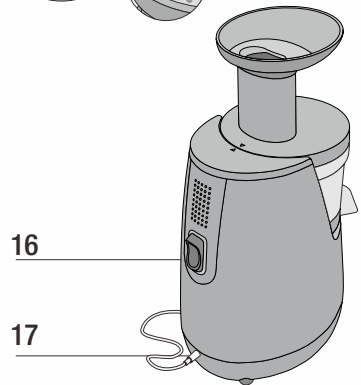
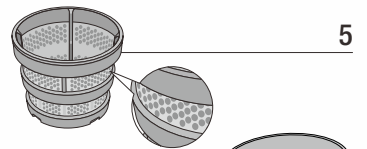
1. Read 'Precautions for safe use' (Page 6) and use the appliance properly.
2. After you finish reading the manual, keep it in a convenient location for future reference.
3. Use this appliance only in areas which have the correct power supply and voltage.
4. Any quality improvements are subject to change without notice.

Terms of parts

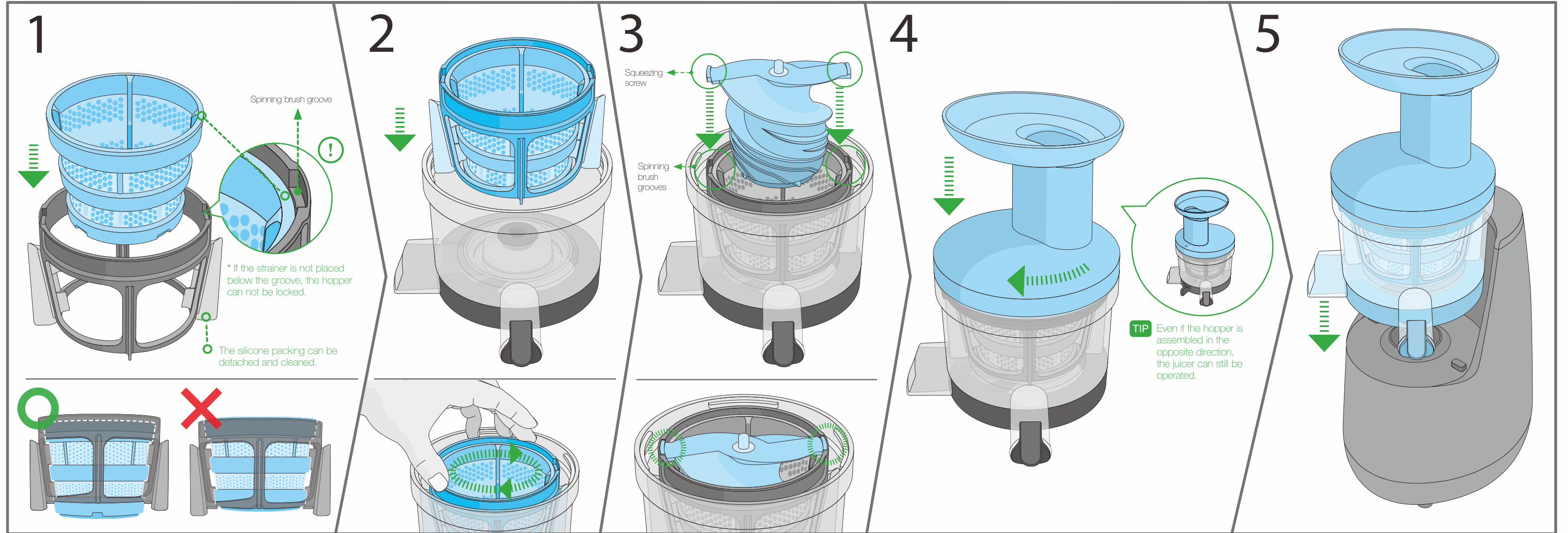


Terms of parts

- | | |
|-------------------|-----------------------------|
| 1 Pusher | 9 Juice Cap |
| 2 Hopper | 10 Pulp Container |
| 3 Squeezing screw | 11 Juice Container Lid |
| 4 Fine Strainer | 12 Base |
| 5 Coarse Strainer | 13 Juice Container |
| 6 Spinning Brush | 14 Small Cleaning Brush |
| 7 Silicon Brush | 15 Cleaning Brush |
| 8 Chamber | 16 Operating Switch |
| 8-1 Pulp Outlet | 17 Power Cord |
| 8-2 Juice Outlet | 18 Instruction Manual EN/NL |



How to assemble



Assemble the strainer under the groove of spinning brush just as in the picture.
 If the chamber set is not correctly assembled, the chamber can not be closed.

Assemble each part in its proper place by turning it left and right in the chamber just as in picture no.1.

Assemble the squeezing screw as in the picture above.
 Lock the squeezing screw by turning it and push it in the spinning brush grooves.

After fitting the hopper on the chamber, turn it clockwise until it is locked completely.

Mount the chamber set on the base.

How to use



1 Press the [ON] button to start.

2 Insert ingredients gradually in the hopper chute and gently press with the pusher.

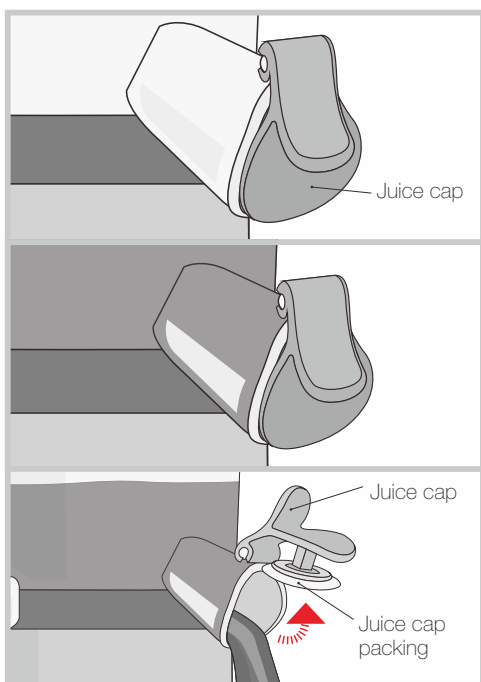
3 After extraction is completed, place the switch in stop position to stop.

Juice Cap and Extraction Packing

Juice Cap

This is the cap of juice outlet in the chamber.

Close the juice cap and fill up with juice in the chamber with various ingredients. You can easily make mixed fruit juice or vegetable juice.



- 1 Close juice cap and press the [ON] button to start.

The juice cap hinge can be damaged with improper use or if twisted. Please handle with care.

- 2 When juice starts filling up the chamber, you can mix banana, soaked nuts, soft berries, etc. and liquids such as milk, etc. as well as vegetables and fruits like smoothies.

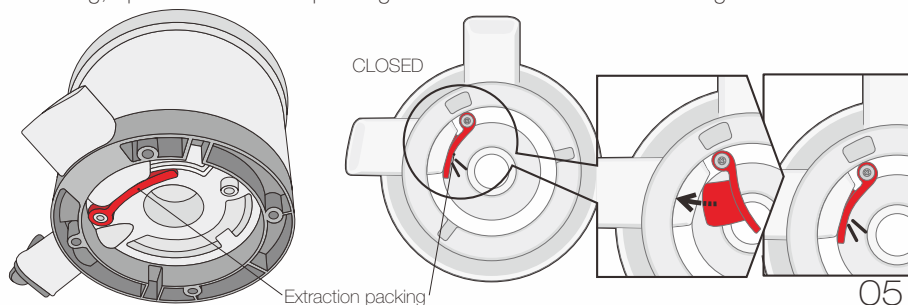
- 3 Open juice cap to pour out as much as you need and close without any drops.

Extraction Packing

This is the pulp stopper made of silicone at the bottom of the chamber.

Make sure to always close the extraction packing before use, as shown below.

For cleaning, open the extraction packing and clean with the small cleaning brush.





Precautions for safe use

1. You should read <Precautions for safe use>
2. You should follow <Precautions for safe use>
3. Precautions are classified as follows.



Warning
Caution

When violating the instructions on the warning labels, it may cause serious injury, death or damage to the appliance.

- **DO NOT PLUG IN NOR UNPLUG WITH WET HANDS.** It may cause electric shock or injury.
- **DO NOT USE OTHER THAN 230V - 240V AC.** It may cause electric shock, fire or abnormal performance. If the voltage is different, it may shorten the life of the motor or cause a failure.
- **PLUG THE POWER CORD CORRECTLY AND PUSH IT TIGHT IN A WALL SOCKET.** It may cause an electric shock or a fire.
- **IF THE SUPPLY CORD IS DAMAGED, IT MUST BE REPLACED BY THE MANUFACTURER ITS SERVICE OR SIMILARLY QUALIFIED PERSONS IN ORDER TO AVOID A HAZARD.** If the power cord is damaged, it may cause electric shock or fire.
- **NEVER ALTER THE APPLIANCE. ALSO, DO NOT DISASSEMBLE OR REPAIR BY YOURSELF. DO NOT INSERT FINGERS, FOREIGN SUBSTANCES OR OBJECTS SUCH AS PINS INTO GAPS OR HOLES IN THE BASE.** It may cause a fire, electric shock or failure. For any technical support, contact the authorized local Customer Care
- **WHEN THE POWER CORD, WIRE IS BROKEN OR DAMAGED OR THE POWER PLUG BECAME LOOSE, DO NOT OPERATE IT.** It may cause electric shock, fire or injury.
- **DO NOT MOISTEN THE BASE OR SPLASH WATER ON THE BASE.** Be careful not to let any liquids or other substances get into the switch on the appliance.
- **DO NOT OPERATE THE SWITCH WITH WET HANDS.** It may cause an electric shock or fire.
- **FOR SAFETY, YOU MUST USE A GROUNDED POWER OUTLET. ALSO, DO NOT DO THE GROUNDING ON GAS PIPE, PLASTIC WATER PIPE, TELEPHONE WIRE, ETC.** It could cause electric shock, fire, malfunction or explosion. Be sure to use the electrical outlet with ground connection.
- **NEVER DISASSEMBLE THE CHAMBER SET DURING OPERATION OR INSERT FINGERS, FOREIGN OBJECTS SUCH AS FORKS, SPOONS, ETC. INTO HOPPER CHUTE OR JUICE OUTLET.** It may cause injury, accident or failure.
- **APPLIANCES CAN BE USED BY PERSONS WITH REDUCED PHYSICAL, SENSORY OR MENTAL CAPABILITIES OR LACK OF EXPERIENCE AND KNOWLEDGE IF THEY HAVE BEEN GIVEN SUPERVISION OR INSTRUCTION CONCERNING USE OF THE APPLIANCE IN A SAFE WAY AND IF THEY UNDERSTAND THE HAZARDS INVOLVED. CHILDREN SHALL NOT PLAY WITH THE APPLIANCE. CLEANING AND USER MAINTENANCE SHALL NOT BE MADE BY CHILDREN. THIS APPLIANCE SHALL NOT BE USED BY CHILDREN. KEEP THE APPLIANCE AND ITS CORD OUT OF REACH OF CHILDREN.**



Caution When violating the labeling requirement, it may cause serious injury or damage to the appliance.

- **DO NOT OPERATE WITHOUT LOCKING THE HOPPER PROPERLY.** It may cause injury or a failure.
- **WHEN DETECTING A GAS LEAK, DO NOT INSERT THE POWER CORD INTO ITS SLOT. OPEN THE WINDOW TO VENTILATE FULLY AND IMMEDIATELY.** It may cause injury or a
- **NEVER PUT A FINGER, FORK OR SPOON, ETC. INTO JUICE OUTLET.** It may cause injury or a failure.
- **IF THE SQUEEZING SCREW ROTATION IS STOPPED IN NORMAL OPERATION, PRESS [REVERSE/REV] BUTTON AND HOLD FOR 2~3 SECONDS AND THEN AFTER REVERSE OPERATION IS COMPLETELY STOPPED, PRESS [ON] BUTTON AGAIN.** If such a stop event continues during the operation, the parts may be damaged and performance may be deteriorated due to overheating in a motor. When the problem continues, immediately stop the appliance and contact the local Customer Care Center.
- **DURING THE OPERATION, DO NOT ATTEMPT TO MOVE THE BASE, DISASSEMBLE THE CHAMBER SET OR PARTS AND TRY TO LOCK THEM.** It may cause an injury or a failure. Any act of event needed, switch off first and unplug the power cord.
- **WHEN USING THE APPLIANCE, BE CAREFUL FOR A NECKTIE, LONG NECKLACE, SCARF, ETC. NOT TO BE ENTANGLED INTO HOPPER CHUTE.** It may cause injury, failure or breakage.
- **PLACE THE APPLIANCE ON A FLAT AND STABLE SURFACE.** It may cause injury or failure.
- **DO NOT OPERATE THE APPLIANCE FOR MORE THAN 30 MINUTES AT A TIME.** It may cause a motor failure due to overheating. Cool it down sufficiently about 5 minutes and operate it again.
- **WHEN PLACING INGREDIENTS INTO THE HOPPER CHUTE, ONLY USE THE PUSHER PROVIDED.** It may cause injury or failure.
- **DO NOT ALLOW A SEVERE SHOCK TO THE APPLIANCE OR DROP IT.** It may cause electric shock, fire or damage.
- **IF THE APPLIANCE GIVES OFF AN UNPLEASANT SMELL OR EXCESSIVE HEATING, SMOKE, STOP USING IMMEDIATELY AND CONTACT THE LOCAL CUSTOMER CARE CENTER.** When using a new appliance, it gives off a smell and the smell disappears naturally over time.
- **ALWAYS UNPLUG THE APPLIANCE AFTER USE. ALWAYS DISCONNECT THE APPLIANCE FROM THE SUPPLY IF IT IS LEFT UNATTENDED AND BEFORE ASSEMBLING, DISASSEMBLING OR CLEANING. WHEN UNPLUGGING THE POWER CORD, MAKE SURE TO HOLD THE POWER CORD.** Pulling on the wire to unplug may cause electric shock or fire.
- **DO NOT WASH AT HIGH TEMPERATURES OF 80°C OR HIGHER. DO NOT PUT THE APPLIANCE IN A DISHWASHER, A DRYER OR A MICROWAVE ETC.** It may cause a failure or parts deformation.
- **THE APPLIANCE WEIGHS ABOUT 6KG (13.6LB). WHEN MOVING THE APPLIANCE, ENSURE TO MOVE IT HOLDING GRIPS TIGHTLY AT THE BASE BOTTOM WITH BOTH HANDS.** If attempting to hold chamber or the edge of the base, the base falls causing an injury or failure.



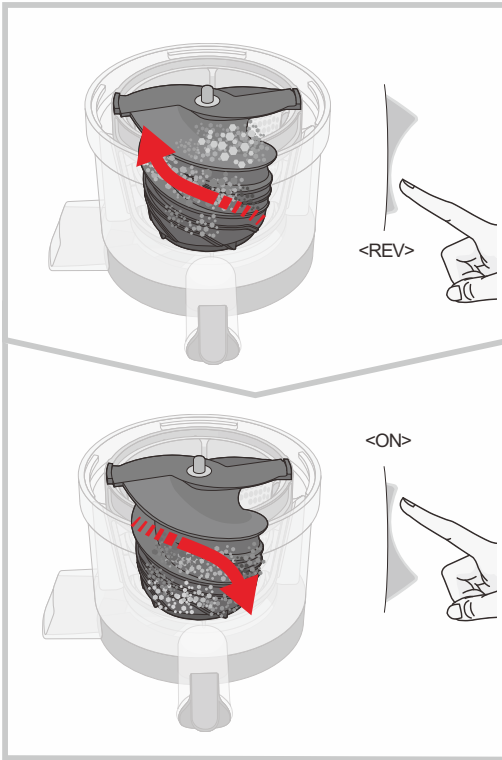
● Cautions during operation

- Fruits with hard seeds such as apricot, cherries, plum, peach etc. that are hard to chew with our teeth should be pitted before juicing.
- For stalk vegetables with strong fiber such as celery, parsley etc. cut them into a small size about 2~3cm or ideally 1 cm length, before putting them into the hopper chute.
- Do not insert sesame seeds, coffee beans, bark of the tree, Chinese pepper, etc. which cannot be extracted.
- Do not put in fruits preserved in alcohol, sugar, honey, etc. (grapes, apricot, berries, etc) It may cause damage or failure.
- We recommend you drink green vegetable juice and fruit juice immediately after extraction rather than keeping them for long time.
- You may use the appliance for crushing spices (garlic, red pepper) in small teaspoon amounts, but not for grinding grains. It may cause damage or failure.
- Do not re-squeeze residues expelled through the pulp outlet.
Soft fruits can be re-squeezed.
- Do not operate the appliance before putting in the ingredients.
- Do not use the appliance for more than 30 minutes continuously.
 - It may cause a failure due to overheating of the motor.
When using continuously, stop it and leave it 5 minutes of interval and then you may use it again.
- Never insert a finger, fork or spoon etc. into juice outlet during the operation.
 - Utensils such as chopsticks etc. inserted into the Juice outlet during operation may get stuck in the spinning brush and may cause damage of parts.
- Do not press the ingredients with anything except the pusher.
 - It may stuck to the squeezing screw and cause injury and failure.
- Do not operate the switch with wet hands.
 - It may cause electric shock or fire. Do not put foreign objects near the switch.

Note

Frozen fruit or withered ingredients that have been stored in the refrigerator for a long time may give us less extracted amount or may even be impossible. Some fruits may deliver only pulp or puree but no juice at all.

When the squeezing screw stops during operation



1 Press the [Rev] button on the operating switch for 3~5 seconds and stop it. Repeat this 2~3times.

- ▶ [Rev] is the button to push back the ingredients upward.
[Rev] only works while pressing the button, and the rotation of the squeezing screw stops if you release the button.

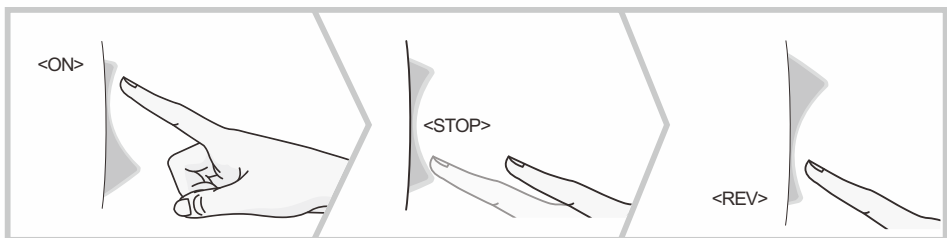
2 Press the [On] button to operate after reverse operation completely stops.

- ▶ When using the [ON] or [Rev] button, make sure that the squeezing screw stops completely.

Note

If after following the directions above the squeezing screw still doesn't rotate forward, please unplug the power cord, disassemble the chamber set and clean it. Then try it again.

Caution when using the reverse function



Be sure to let the squeezing screw come to a complete stop before you switch the direction of the rotation.

If you need additional information, please contact your local Customer Service Center or visit www.versapers.com. When applying for after-sales service, please have the manufacturer's serial number or bar code available.

The Appliance does not work.

Make sure that the power cord is properly plugged in.

Check if the hopper is assembled properly. If the hopper has not been locked into place, the appliance will not operate as a safety feature.

Check if the appliance is assembled according to the directions in the manual.

Refer to instructions for assembly in the manual or consult with your Customer Service Center for additional assistance.

The hopper does not open.

There might be a lot of residues inside. Put the lever in half-closed position, and press [Extract] button to release residues. Press [Reverse] button for 3~4 seconds and stop it. Repeat this process 2~3times.

Have you placed any foreign substances or solid objects (hard seed such as persimmon seed) in the juicer?

Press [Reverse] button and push the ingredients back up toward the hopper chute.

Do not attempt to open by force. Please contact your local Customer Service Center for assistance.

The appliance stops during normal operation.

Have you inserted heavy loads or large pieces of ingredients into the appliance?

Refer to page 9 of the manual and follow the guideline for using the [Reverse] button.

If the issue is not resolved after following the above process, please contact your local Customer Service Center.

There are fine lines or scratch marks around the squeezing screw.

These are molding marks resulting from the normal manufacturing process.

This is a normal product and there is no problem for use.

Juice leaks over the base.

Have you inserted a lot of ingredients into the hopper chute? If you insert a large amount of ingredients compared to the pulp outlet, the packing is slightly pushed away, so the juice leaks out of the gap. Do not put too much ingredients by force and just add them gradually for extraction. Also check from time to time if the pulp exit is running smoothly during operation.

The Chamber shakes when squeezing.

Slight shaking may be caused by the motor.

Depending on the texture of the ingredient, there may be slight to more pronounced shaking of

This is a normal phenomenon as the squeezing screw rotates and it is not a malfunction. Hard ingredients (e.g carrot, potato, radish, beet, etc.) may cause more shaking than soft ingredients.

Product Specifications

● Product Name	Versapers Slow Juicer	● Cord Length	1.4 m
● Model Name	Emotion 4G	● Motor	Single-phase induction motor
● Rated Voltage	230-240 V	● Fuse	250 V 5 A
● Rated Frequency	50 Hz	● Weight	6.2 kg (13.6 lb)
● Rated Power Consumption	150 W	● Outward Dimension	Width 251 mm Length 178 mm Height 411 mm
● RPM	43 rpm	● Rated Operating Hour	Less than 30 minutes

Warranty

You can register your purchase on the website of Versapers. <http://versapers.com/warranty>. Your warranty is executed at the local distributor where you have purchased the product.

Always keep your invoice or receipt as original proof of purchase in case of making a claim on the warranty. This certifies that the Versapers Slow Juicer is warranted by Versapers to be free from defects in material construction and workmanship.

The motor warranted for five (10) years and other parts are warranted for two (2) years from the date of purchase to the original purchaser.

This warranty does not apply to damages caused by accident, misuse, abuse, commercial use, alteration, failure to follow operating instructions, or damage caused by parts or service unauthorized by Versapers.

Damages caused by transportation must be claimed with carrier. Versapers disclaims all responsibilities for consequential damages from incidental losses caused by use of this appliance. If service should be necessary, please contact our local Customer Care Center for technical support.

versapers

Manufacturer : Versapers
Versapers webpage : www.versapers.com

How to trim the ingredients?

Apple, pear, kiwi, cucumber

Juice fruits like apple, pear, kiwi, cucumber, etc. put them with seeds and peels. However, apple seeds contain toxicity, so it better to remove them.

Pomegranate, grapes

Separate each grape from the cluster. Peel the pomegranate and use flesh only.

Watermelon, orange, grapefruit

Peel off the skin of watermelon, orange, grapefruit and cut them in the right size.

Mango, cherry, peach

Fruits like mango, cherry, peach, or plum, etc. have hard seeds which are hard to swallow. Those seeds might cause stoppage or parts damage, so they must be removed before using it.

Wheatgrass, chives

Cut these ingredients in short pieces, a handful at a time. Add carrot afterwards to push the pulp trough.

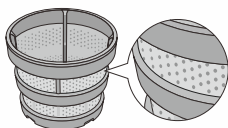
Water parsleys, angelica, celery, kale

Cut fibrous ingredients in small sized chunks less than 3 cm. The shorter you cut the fibres, the easier it is for juicing.

* This is a reference about how to trim the ingredients, if you have allergies, please choose ingredients which are suitable for you.

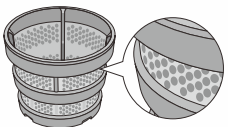
* Please refer to the recipe book for the product usage of each ingredient.

Which strainer to use, fine or coarse?



Fine Strainer

Fine strainer has tiny and fine holes good to make clean juice.



Coarse strainer

Coarse strainer has larger holes so is good to make thick juice with flesh in it.

Also ideal to make juice from soft fruits like banana, strawberry, kiwi to achieve a consistency similar like a smoothie or soup.

versapers[®]
The juice revolution

www.versapers.com

A Dutch brand, made in South Korea

Copyright© All Rights Reserved by Versapers

4G_V1.0_EN